

## Exceptional Design

- New built-in platform
- No guardrails to set up/take down
- Front vertical ladder provides easy access to top manway
- No moving parts or pins

## Safety & Quality

- Dual outer floor rail provides added support and stability
- Safe access to top manway
- 101+ point quality control checklist delivers the best-in-class product

## Cost Savings

- Smooth wall interior
- No corrugations or internal rods
- Easy-to-clean design reduces costs and increases tank life



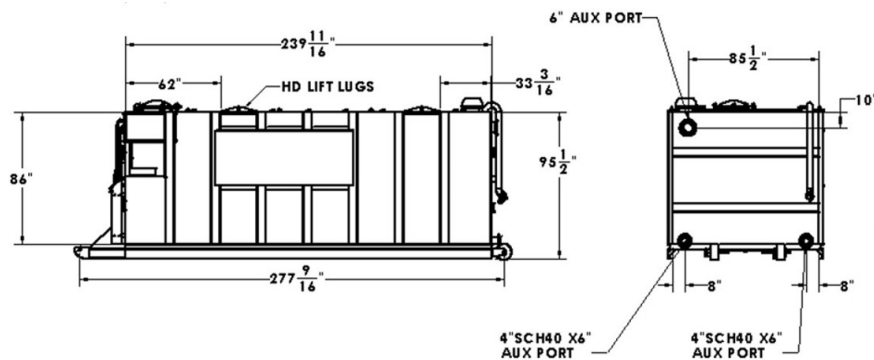
## SPECIFICATIONS

Weights & Measures	MT-240	Tests Performed	Std	Warranty	Std
Tank length (front nose to rear)	23' - 8" 20' - 0" (tank body)	Hydrostatic water test	•	1-year structural	•
Tank width (outside)	8' - 6" (outside) 8' - 0" (inside)			6-months coating	•
Tank height (grade to roof deck)	8' - 0", 7'-2" (wall)				
Weight (lbs)	11,650				
Capacity (BBLs/Gals)	200/8,400				

# OPTIONS & FEATURES: MT-240

TANK OPTIONS	Qty	Std	Opt
<b>DESIGN FEATURES</b>			
Manways: (2) 22" diameter with wingnut closure Buna-N gasket. (1) 22" diameter, low profile, top Buna-N gasket.	3	•	
Relief valve: 16 oz./in2 pressure setting, 0.4 oz./in2 vacuum setting; Buna-N seal	1	•	
Front drain: 4" - 150# flanged with butterfly valve	1	•	
Rear drain: 4" - 150# flanged with butterfly valve	2	•	
Front feed line : 3" with cap & chain	1	•	
Platform: Built-in design with handrail and safety chain. Front vertical ladder access (bolt-on).	1	•	
Ladder: Vertical bolt-on (OSHA compliant)	1	•	
Front hook: HD 1 1/4" front hook	1	•	
Rear wheels: 8 5/8" diameter x 6"	2	•	
Aux. ports: 6" with threaded flange and plug	2	•	
<b>ADDITIONAL SAFETY FEATURES</b>			
Ladder painted safety yellow for high visibility	1	•	
Safe Operation reminder decals applied	1	•	
Attached strapping charts	1	•	

DESIGN FEATURES	Qty	Std	Opt
<b>STRUCTURAL DESIGN</b>			
Floor: 1/4" thick ASTM A36 carbon steel	1	•	
Understructure: 1/4" x 2" x 6" rectangular tubing long sill. Outside rail configuration: 36" ID.	1	•	
Sides/ends: 1/4" thick ASTM A36 carbon steel	1	•	
Main roof: 1/4" thick ASTM A36 carbon steel	1	•	
Wall posts: 3/16" x 3" x 6" ASTM A36 formed channel	1	•	
Roof members: 3" structural channel	1	•	
<b>PAINT SPECIFICATIONS</b>			
Interior blast: SSPC-SP-10/Near White	1	•	
Interior coating: Carboline Phenoline 310 (100% solids), High Performance Epoxy Coating, 20-30 Mills D.F.T.	1	•	
Exterior blast: SSPC-SP-6/Commercial	1	•	
Exterior coating: Carboline Carbothane 8812/8845 DTM High Gloss Polyurethane 3-5 Mills D.F.T.	1	•	
<b>OPTIONS</b>			
Steam coil			•
Custom understructures			•
Gel line/Jet line			•
Float gauge			•
Feed lines			•
Valves: 4" wafer butterfly valve. Cast iron body, Buna-N seat & seals, 316 SS stem, nylon coated ductile iron disk with plug & chain.			•
Additional aux. ports/manways			•
Lifting lugs: HD 1" plate			•
Stainless steel (304/316)			•
Custom interior coating/exterior colors			•



888.772.5580  
 sales@manitexsabre.com  
 5420 E. State Road 8, Knox, IN 46534  
 Proudly made in the USA

**manitexsabre.com**  
 a division of Manitex International