

Exceptional Design

- Side ladder provides easy access to the top manway
- Vacuum container has a capacity of 25 cubic yards

Safety & Quality

- Safe Operation decals applied
- 101+ point quality control checklist delivers the best-in-class product

Cost Savings

- Smooth wall interior
- No corrugations or internal rods
- Easy-to-clean design reduces costs and increases tank life



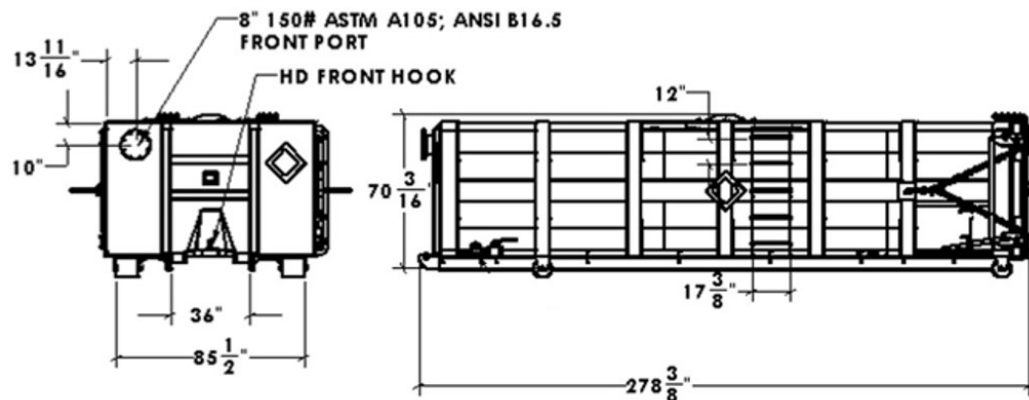
SPECIFICATIONS

Weights & Measures	VT-2254	Tests Performed	Std	Warranty	Std
Length (front nose to rear)	23' - 2 - 3/8" 21' - 8" (container body)	Hydrostatic water test	•	1-year structural	•
Width	8' - 0" (outside), 7' - 3 - 1/2" (inside)			6-months coating	•
Height (grade to roof deck)	5' - 7", 4'-7" (wall)				
Weight (lbs)	11,000				
Capacity (cu. yards)	25				

OPTIONS & FEATURES: VT-2254

CONTAINER OPTIONS	Qty	Std	Opt
DESIGN FEATURES			
Manway: 22" diameter with wingnut closure Buna-N gasket	1	•	
Front port: 8" - 150# flanged with 6" connection	1	•	
Rear ports: 8" - 150# flanged with 6" connection. 4" - 150# flanged.	2	•	
Baffle: Internal baffle/behind front 8" port	1	•	
Ladder: Side mounted	1	•	
Front hook: HD 1 1/4" front hook	1	•	
Wheels: 8 5/8" diameter X 8"	4	•	
Liner hooks: Interior, 24" O.C.	2	•	
Tailgate: Side swing, adjustable hinge, Buna-N T-Seal	1	•	
ADDITIONAL SAFETY FEATURES			
Safety ladder access to top manway	1	•	
Safe Operation reminder decals applied	1	•	
STRUCTURAL DESIGN			
Floor: 1/4" thick ASTM A36 carbon steel	1	•	
Understructure: TR6"x2"x1/4" long sills	1	•	
Sides/front: 3/16" thick ASTM A36 carbon steel	1	•	
Main roof: 3/16" thick ASTM A36 carbon steel	1	•	
Tailgate: 3/16" thick ASTM A36 carbon steel	1	•	
Tailgate members: 11 GA x 4" x 4" square tubing	1	•	
Wall posts: 3/16" plate ASTM A36 formed channel	1	•	
Roof members: 3/16" x 4" x 6" rectangular tubing	1	•	

DESIGN FEATURES	Qty	Std	Opt
PAINT SPECIFICATIONS			
Interior blast: None	N/A		
Interior coating: None	N/A		
Exterior blast: SSPC-SP-6/Commercial	1	•	
Exterior coating: Carboline Carbothane 8812/8845 DTM High Gloss Polyurethane 3-5 Mils D.F.T.	1	•	
OPTIONS			
Additional aux. ports			•
Custom understructures			•
Additional manways			•
Stainless steel (304/316)			•
Dewatering basket			•
Custom interior coatings			•
Custom exterior colors			•
ADDITIONAL SIZES/MODELS AVAILABLE			
VT-2242: 20 cu. yard capacity			•
VT-2266: 30 cu. yard capacity			•



888.772.5580
 sales@manitexsabre.com
 5420 E. State Road 8, Knox, IN 46534
 Proudly made in the USA

manitexsabre.com
 a division of Manitex International